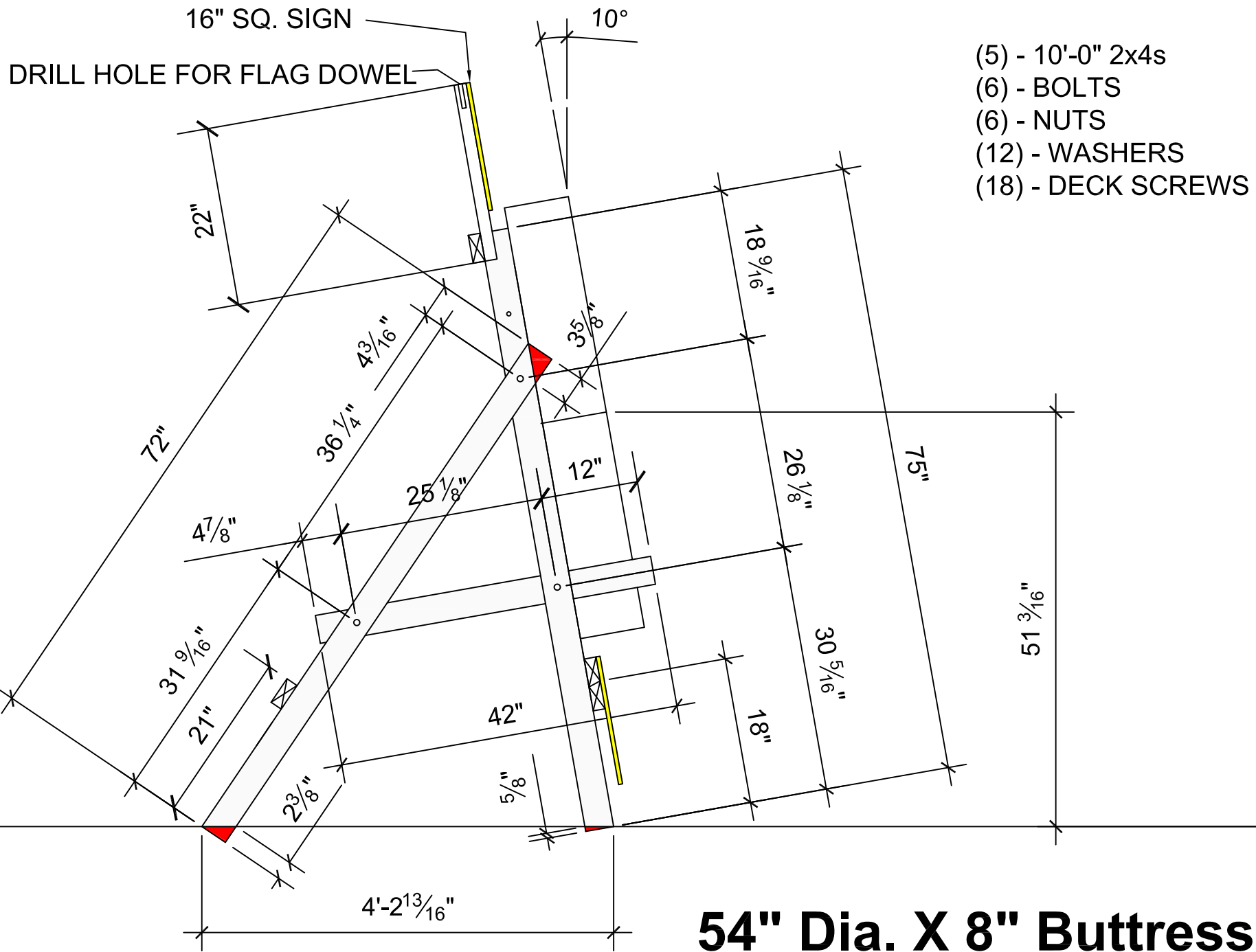


54" DIA. BUTTRESS

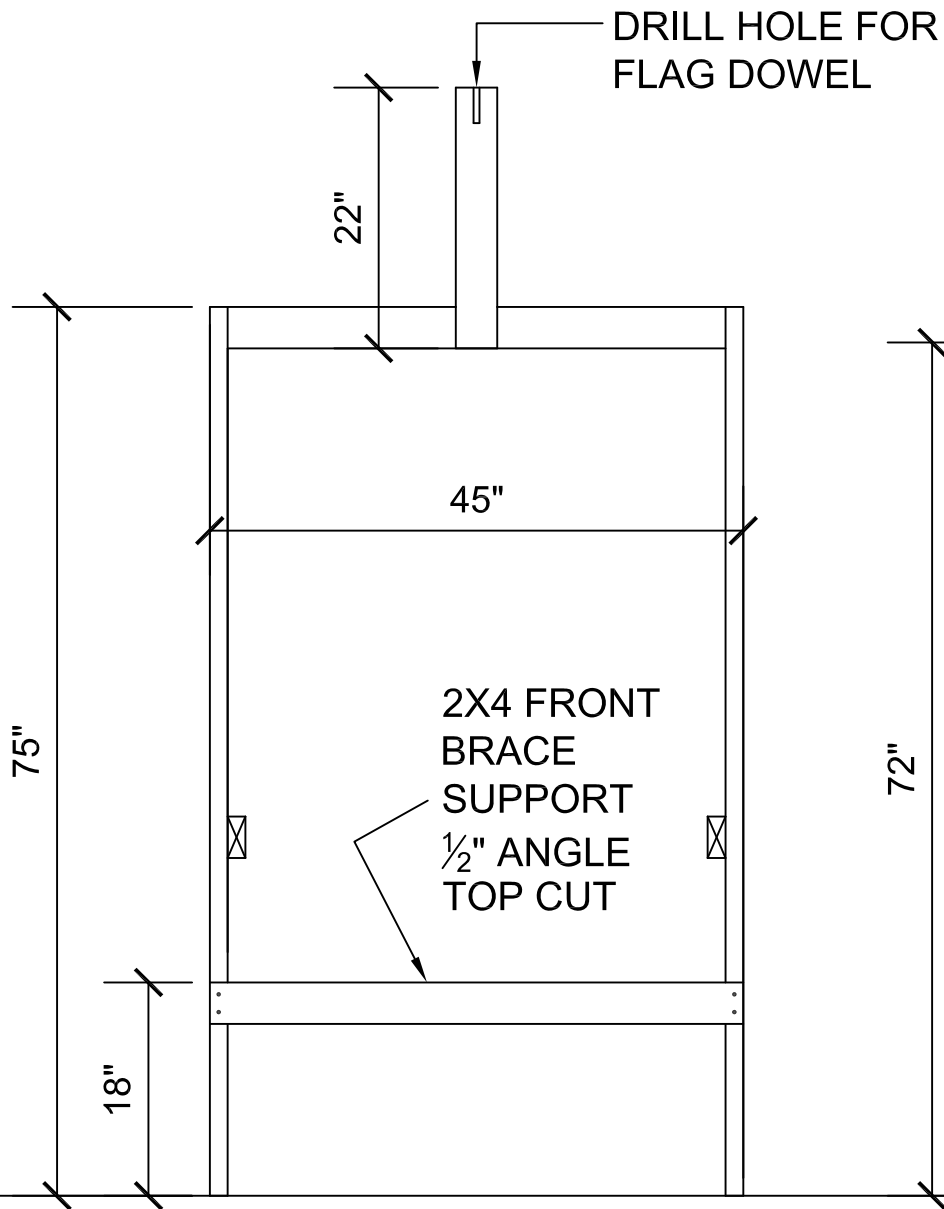
8" THICK

SIGN SECTION



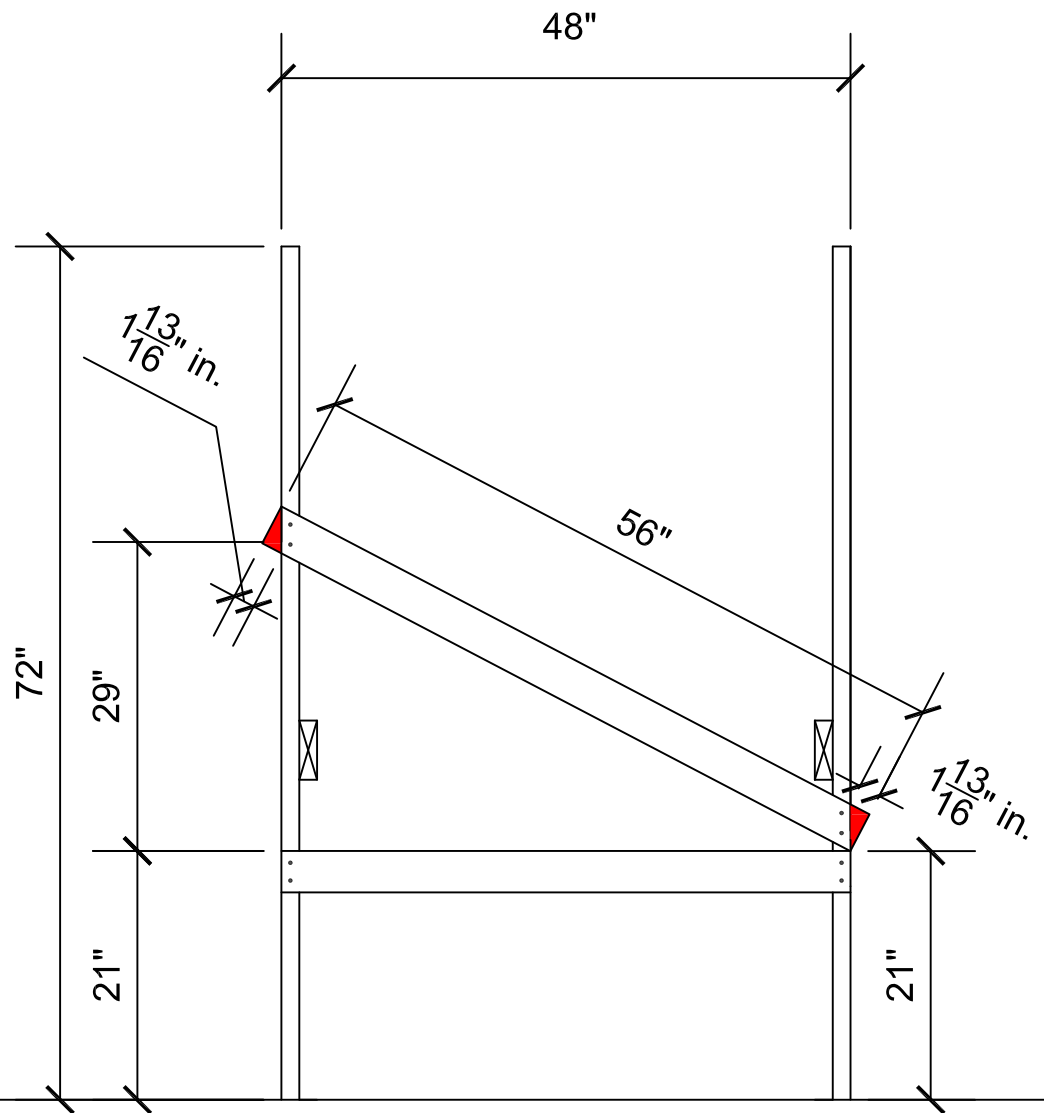
- (5) - 10'-0" 2x4s
- (6) - BOLTS
- (6) - NUTS
- (12) - WASHERS
- (18) - DECK SCREWS

54" Dia. X 8" Buttress
Set at 10 degrees

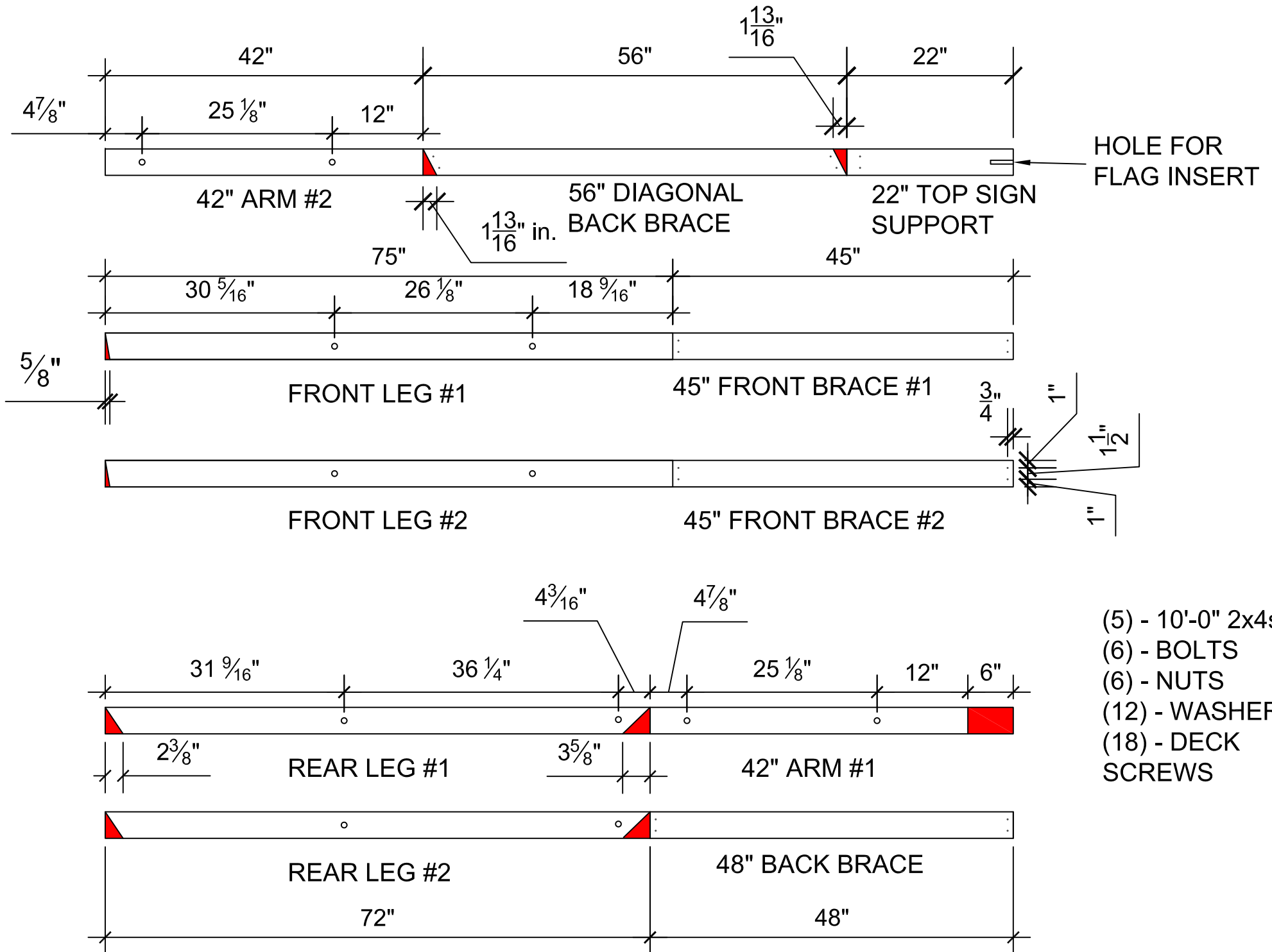


FRONT FRAME
ELEVATION

Typical:
Glue joints at all
screwed
connections



BACK FRAME
ELEVATION



- (5) - 10'-0" 2x4s
- (6) - BOLTS
- (6) - NUTS
- (12) - WASHERS
- (18) - DECK SCREWS